

GP2Y1026AU0F



Application

Air quality/ Pollen and Cigarette Monitoring

Property

Small size/ Light weight/ Easy to install.

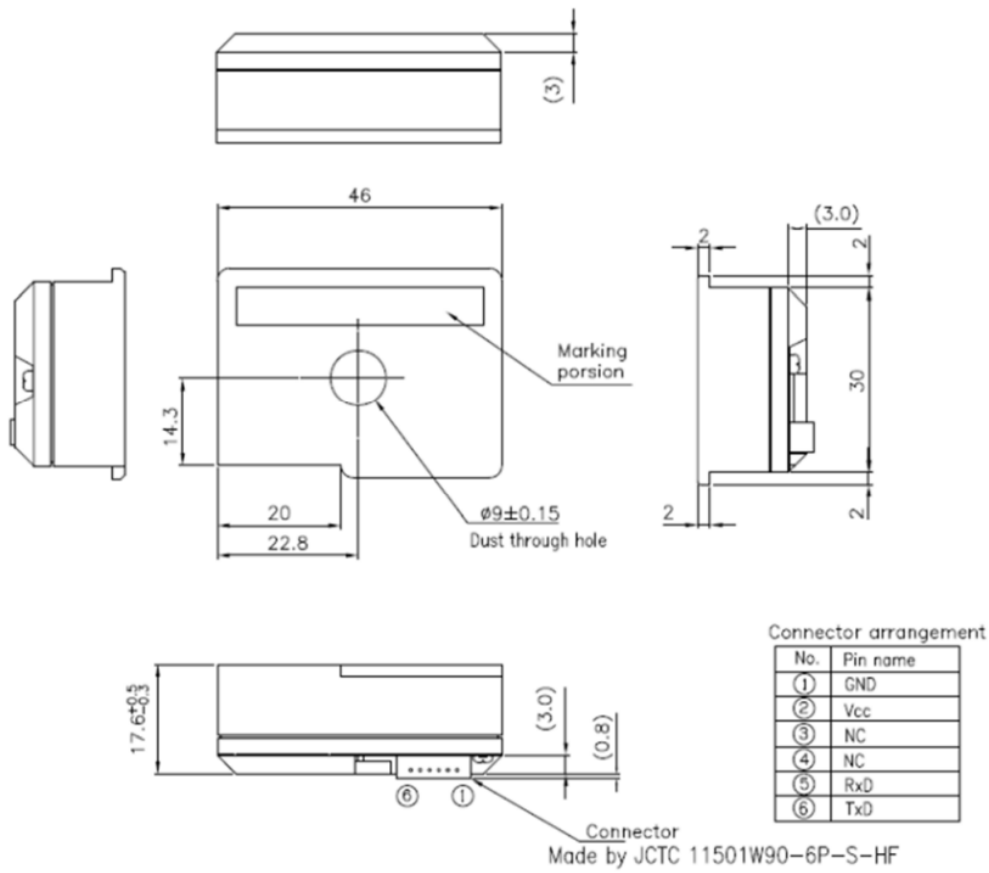
Introduction

GP2Y1026AU0F can detect extremely fine particles and is commonly used in air purification systems. It consists of an infrared emitting diode and a phototransistor that detect dust particles in the air by measuring reflected light. The sensor has very low current consumption (maximum 20mA, typical 15mA). Its output is an analog voltage proportional to the measured dust concentration.

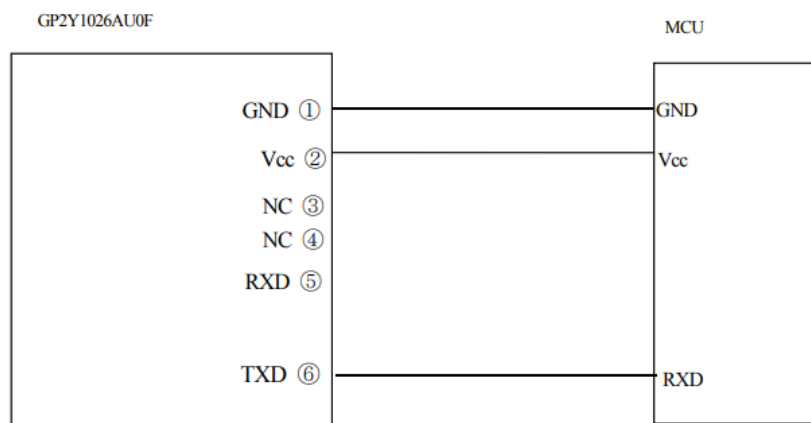
Specifications (T=25°C)

Items	Symbols	
Supply Voltage	V_o	-0.3~6V
Operating Voltage	V_o	5V
Current Rating	I_o	15mA
Operating Temperature	T_o	-10°C ~ +65°C
Storage Temperature	T_s	-20°C ~ +80°C
Sensitivity		0.35 V/(100 ug/m ³)
Output Voltage range	TXdh	0V(no dust), High level>4.35V

Outline Dimensions



Connection Circuit



* Without connecting about a RXD terminal for a sensor, please use as an OPEN terminal.

